

MACHINE TYPE : YS series mounters (Including YSM and YSH)
 CLASSIFICATION : Specification
 REFERENCE : H017401

No: SI1211004E-000

ISSUED DATE: December 11, 2012

YS series: Improvement for easier installation and removal of the dummy feeder

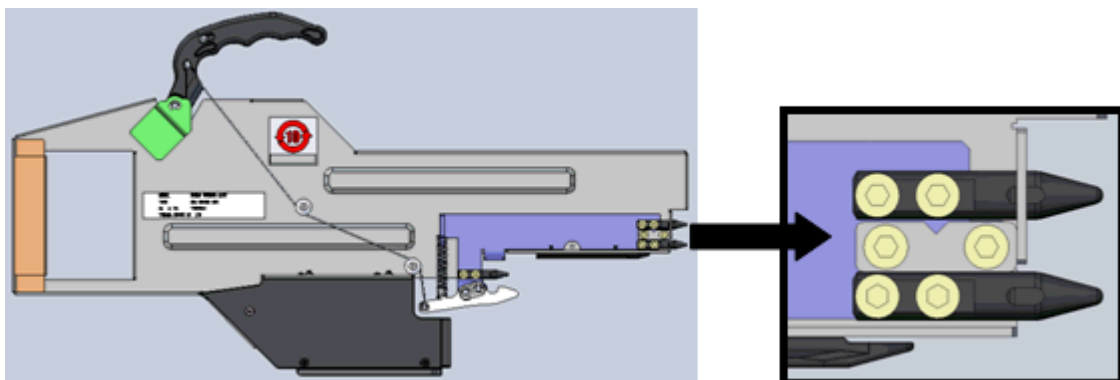
General description

This document describes the modification made on the dummy feeder attached to the feeder exchange carriage and the fixed feeder bank for easier installation and removal.

■ How to distinguish the dummy feeders

- Previous models (* With two (2) front positioning pins)

Item	Part Name	Part No.	Qty	Note
Dummy feeder (Without a dummy feeder board)	DUMMY FEEDER ASSY	KHJ-M34D0-000	1	
Dummy feeder (With a dummy feeder board)	I.DUMMY FEEDER ASSY	KHJ-M34D0-A00	1	"Check feeder plate occupation" function can be used.



- Modified model (* With One (1) front positioning pin)

Item	Part Name	Part No.	Qty	Note
Dummy feeder (With a dummy feeder board)	I.DUMMY FEEDER ASSY	KHJ-M34D0-A01	1	"Check feeder plate occupation" function can be used.

